

# IMPORTANT SAFEGUARDS

When using electrical appliances, basic safety precautions should always be followed to reduce the risk of fire, electric shock, and/or injury to persons including the following:

- Read all instructions before using this product.
- ⚠ This appliance generates heat during use. Do not touch hot surfaces. Use handles or knobs. Always protect your hands with non-slip oven mitts or similar.
- To protect against electric shock, do not place or immerse cord, plugs, or appliance in water or other liquid.
- This appliance is not to be used by children or by persons with reduced physical, sensory or mental capabilities.
- Close supervision is necessary when any appliance is used near children. Children should not play with the appliance.
- Unplug from outlet when not in use, before putting on or taking off parts and before cleaning. Allow to cool before putting on or taking off parts, and before cleaning. To disconnect, turn any control to OFF, then unplug power cord from outlet. Do not disconnect by pulling on cord. Always grasp the plug and pull to disconnect.
- Do not operate any appliance with a damaged cord or plug or after the appliance malfunctions, or has been damaged in any manner. Do not attempt to replace or splice a damaged cord. Return appliance to the manufacturer (see warranty) for examination, repair or adjustment.
- The use of accessory attachments not recommended by the appliance manufacturer may cause injuries.
- Do not use outdoors or for commercial purposes.
- Do not let cord hang over edge of table or counter, or touch hot surfaces.
- Do not place on or near wet surfaces, or heat sources such as a hot gas or electric burner, or in a heated oven.
- Extreme caution must be used when moving an appliance or removing a pan, containing hot oil or other hot liquids. Always protect your hands with non-slip oven mitts or similar.
- Do not use appliance for other than intended use. Misuse can cause injuries. Intended for household countertop use only. Keep 6 inches (152 mm) clear from the wall and on all sides. Always use appliance on a dry, stable, level surface.
- Oversize foods or metal utensils must not be inserted in a toaster-oven as they may create a fire or risk of electric shock.
- A fire may occur if the toaster-oven is covered, touching or near flammable materials, including curtains, draperies, towels, walls, and the like, when in operation. Do not store any item on top of the appliance when in operation. Do not clean with metal scouring pads. Pieces can break off the pad and touch electrical parts, creating a risk of electric shock.
- Extreme caution should be exercised when using containers constructed of materials other than metal or glass.
- Do not store any materials, other than manufacturers recommended accessories, in this oven when not in use.
- Do not place any of the following materials in the oven: paper, cardboard, plastic, or any materials that may catch fire or melt.

## Preheating the Oven

Place oven rack into the desired position before heating the oven. (See "Positioning Rack" Section)

Push bake button once.

Push the temperature +/- button to set desired temperature.

Push the Timer +/- keys until seven minutes is displayed.

Push the Start button.

## To Use the Bake Function

Place oven rack into the desired position before heating the oven. (See "Positioning Rack" Section)

Arrange food on the wire rack or in the baking pan.

Push the Bake button once. Push temperature +/- key to set desired temperature.

Push Timer +/- button. Use the +/- keys to select desired time.

Push the Start button.

Interior light turns on when timer is on. At the end of cooking cycle the light turns off automatically.

NOTE – Both heating elements will cycle ON and OFF to maintain the desired temperature. When baking is completed, open door fully and remove food carefully with oven mitt.

## To Use the Convection Bake Function

Place oven rack into the desired position before heating the oven. (See "Positioning Rack" Section)

When you select the Convection Bake the convection fan will turn on and circulate air allowing the food to cook evenly and faster.

Arrange food on the wire rack or in the baking pan.

Push the Convection Bake button. Use the +/- keys to select desired temperature.

Push the Timer button. Use the +/- keys to select desired time.

Push the Start button.

Interior Light turns on when timer is on. At the end of the cooking time a bell signal sounds, and the oven and light turn off automatically.

NOTE – Both heating elements will cycle ON and OFF to maintain the desired temperature. When baking is completed, open door fully and remove food carefully with oven mitt.

## FAQs About Convection Baking

What is Convection?

Answer: In your Countertop Oven there is a built in fan that circulates the hot air in the oven chamber to better heat the food.

How do I adjust the time for Convection?

Answer: On average, convection will shorten the cooking time by 30% but it varies by food. It is suggested to go with a shorter cooking time to start with and then add time if it is needed.

What are the best foods to use with Convection?

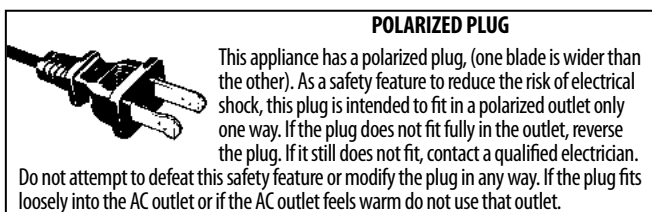
Answer: While a shorter cook time is often desirable, bake goods in particular benefit from convection cooking as the circulating air keeps oven temperature consistent throughout.

- Do not cover crumb tray or any part of the oven with metal foil. This will cause overheating of the oven.
- Empty the crumb tray after each use.
- The glass door is made of tempered glass. Always inspect the glass door for chips, cracks or any other damage. Do not use the countertop oven if the glass door is damaged, as the glass may shatter during use.
- Do not use with a programmer, timer, wireless plug adapter or outlet that allows control remotely, or connect to a circuit that is regularly switched on and off by the utility.

# SAVE THESE INSTRUCTIONS

## HOUSEHOLD USE ONLY

North American models with polarized plugs:



## POWER CORD INSTRUCTIONS:

A short power-supply cord or detachable power-supply cord is provided to reduce risks resulting from becoming entangled in or tripping over a longer cord. Longer detachable power-supply cords or extension cords are available and may be used if care is exercised in their use. If a long detachable power-supply cord or extension cord is used:

- The marked electrical rating of the cord set or extension cord should be at least as great as the electrical rating of the appliance;
- The cord should be arranged so that it will not drape over the countertop or tabletop where it can be pulled on by children or tripped over unintentionally; and
- If the appliance is of the grounded type, the cord set or extension cord should be a grounding-type 3-wire cord.

Do not pull, twist or otherwise abuse the power cord.

## NOTICES

- Some countertop and table surfaces are not designed to withstand the prolonged heat generated by certain appliances. Do not set the heated unit on a finished wood table. We recommend placing a hot pad or trivet under your countertop oven to prevent possible damage to the surface.
- During initial use of this appliance, some slight smoke and/or odor may be detected. This is normal with many heating appliances and will not recur after a few uses.

## To Use the Broil Function

Place oven rack into the desired position before heating the oven.

(See "Positioning Rack" Section)

Place broil rack in oven pan to make broiler pan.

Arrange food on broiler pan.

Place broiler pan on oven rack.

Close the door to the first notch, leaving approximately a 3 inch gap at top.

Push the Broil button.

Push Timer button. Use +/- keys to select the desired time.

Push the Start button.

NOTE – The top heating element will cycle ON and OFF to maintain desired temperature.

When broiling is completed, open door fully and remove food carefully with oven mitt

**WARNING: DO NOT LEAVE COUNTERTOP OVEN UNATTENDED.**

## To Use the Toast Function

Place oven rack into the desired position before heating the oven.

(See "Positioning Rack" Section)

NOTE – Different types of bread require different settings. Lighter breads and waffles require a lighter setting. Darker breads, muffins, and English muffins require a darker setting.

Arrange food on the wire rack.

Push the Toast button. Use +/- keys to select Toast Shade.

Time is set automatically based on the shade selection.

Press the Start button.

When toasting is completed, open door fully and remove food carefully with oven mitt.

## To Use the Pizza Function

Place oven rack into the desired position before heating the oven.

(See "Positioning Rack" Section)

Arrange pizza on the wire rack.

Push the Pizza button and 20:00 default time will appear. Use timer +/- keys to adjust the time as desired. Push the Start button.

NOTE – The Pizza function temperature is set at 400°F and cannot be adjusted.

If different temperature is desired, cancel Pizza function and use Bake function.

## Defrosting Function

When defrosting do not preheat oven. Temperature Control is already set to 150°F.

Push the defrost button. Use +/- keys to adjust time. Allow 15 to 20 minutes per side for meats or fish to defrost. Always cook food promptly after thawing. Push the Start button.

## Positioning Rack

To accommodate a wide variety of foods, the oven has two rack positions. (See Figure 5) Positioning of the rack will depend on the size of the food and desired browning. Before removing the rack, allow the unit to cool.

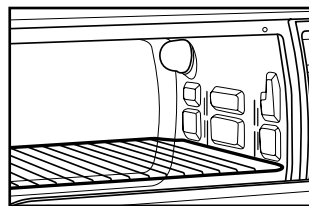


FIGURE 5

## Welcome

Congratulations on your purchase of an OSTER® Countertop Oven! If you require service on your OSTER® Countertop Oven, do not return to place of purchase. Please contact us at [www.oster.com](http://www.oster.com) or 1.800.334.0759.

## Features of Your Countertop Oven

(See Figure 1)

- Removable Wire Rack
- Interior Light
- Time Display
- Control Buttons
- Two Rack Positions
- Easy Clean Interior Walls
- Glass Door
- External Removable Crumb Tray
- Baking Pan and Broiling Rack

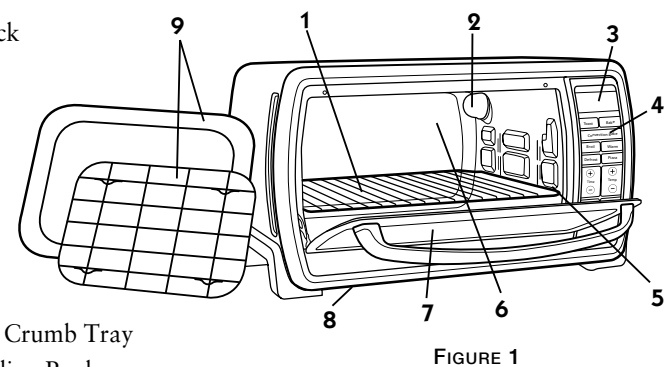


FIGURE 1

## Control Buttons

Function Buttons – (See Figure 2)

Oven – Bake, Convection Bake & Broil.

Toast – Select to toast bread, bagels, etc.

Pizza – Select to bake 9-12" pizza.

Defrost – Select to defrost foods.

+/- Timer/Temp – Use this button to change between time and temperature when Bake, Convection Bake or Broil have been selected.

Clock – Sets the Oven Clock.

Light – Turns on Interior Light.

Stop/Cancel – Stops heating or cancels function.

Start – Starts baking/cooking process.

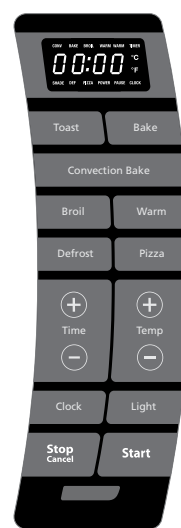


FIGURE 2

## Preparing To Use Your Countertop Oven for the First Time

If you are using your countertop oven for the first time, please be sure to:

Remove any stickers from the surface of the oven.

Open oven door and remove all printed documents and paper from inside the countertop oven.

Clean the rack, tray, and pan with hot water, a small amount of dishwashing liquid and a non-abrasive sponge or cleaning pad.

**CAUTION: DO NOT IMMERSE THE BODY OF THE UNIT IN WATER.**

Dry the unit thoroughly before using.

Select a location for the countertop oven. The location should be in an open area on a flat counter where the plug will reach an outlet.

Plug the countertop oven into a 120 Volt AC electrical outlet.

The heating elements are designed to work efficiently and maintain a precise temperature. You may not see the elements glowing, key are working properly.

## To Open the Oven Door:

Step 1: Grab the center of the handle underhanded with fingertips (See Figure 3).

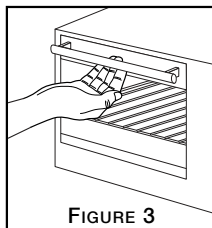


FIGURE 3

Step 2: Pull down the oven door carefully (See Figure 4).

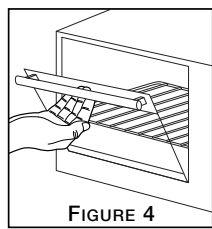


FIGURE 4

**CAUTION:** This appliance generates heat during use. Do not touch hot surfaces. Always use handles or knobs per above instructions.

## Using Your Countertop Oven

### Setting the Clock

Press the Clock button. The clock will flash.

Use the timer (-) keys to set time. Press the Clock button again.

Use the +/- keys to set the minutes.

Push the Clock or Start button and the time will be set.

English-4

English-3

English-2

English-1

## One-Year Limited Warranty

Sunbeam Products, Inc., or if in Canada, Sunbeam Corporation (Canada) Limited, (collectively "Sunbeam") warrants that for a period of one year from the date of purchase, this product will be free from defects in material and workmanship. Sunbeam, at its option, will repair or replace this product or any component of the product found to be defective during the warranty period. Replacement will be made with a new or remanufactured product or component. If the product is no longer available, replacement may be made with a similar product of equal or greater value. This is your exclusive warranty. Do NOT attempt to repair or adjust any electrical or mechanical functions on this product. Doing so will void this warranty.

This warranty is valid for the original retail purchaser from the date of initial retail purchase and is not transferable. Keep the original sales receipt. Proof of purchase is required to obtain warranty performance. Sunbeam dealers, service centers, or retail stores selling Sunbeam products do not have the right to alter, modify or any way change the terms and conditions of this warranty.

This warranty does not cover normal wear or damage resulting from any of the following: negligent use or misuse of the product, use on improper voltage or current, use contrary to the operating instructions, disassembly, repair or alteration by anyone other than Sunbeam or an authorized Sunbeam service center. Further, the warranty does not cover: Acts of God, such as fire, flood, hurricanes and tornados.

### What are the limits on Sunbeam's Liability?

Sunbeam shall not be liable for any incidental or consequential damages caused by the breach of any express, implied or statutory warranty or condition.

Except to the extent prohibited by applicable law, any implied warranty or condition of merchantability or fitness for a particular purpose is limited in duration to the duration of the above warranty.

Sunbeam disclaims all other warranties, conditions or representations, express, implied, statutory or otherwise.

Sunbeam shall not be liable for any damages of any kind resulting from the purchase, use or misuse of, or inability to use the product including incidental, special, consequential or similar damages or loss of profits, or for any breach of contract, fundamental or otherwise, or for any claim brought against purchaser by any other party.

Some provinces, states or jurisdictions do not allow the exclusion or limitation of incidental or consequential damages or limitations on how long an implied warranty lasts, so the above limitations or exclusion may not apply to you.

This warranty gives you specific legal rights, and you may also have other rights that vary from province to province, state to state or jurisdiction to jurisdiction.

### How to Obtain Warranty Service

In the U.S.A.  
If you have any question regarding this warranty or would like to obtain warranty service, please call 1-800-334-0759 and a convenient service center address will be provided to you.

In Canada  
If you have any question regarding this warranty or would like to obtain warranty service, please call 1-800-667-8623 and a convenient service center address will be provided to you.

In the U.S.A., this warranty is offered by Sunbeam Products, Inc., located in Boca Raton, Florida 33431. In Canada, this warranty is offered by Sunbeam Corporation (Canada) Limited, located at 20 B Herford Street, Brampton, Ontario L6Y 0M1. If you have any other problem or claim in connection with this product, please write our Consumer Service Department.

**PLEASE DO NOT RETURN THIS PRODUCT TO ANY OF THESE ADDRESSES OR TO THE PLACE OF PURCHASE.**

English-8

English-7

English-6

English-5

Impreso en China

Printed in China

© 2017 Sunbeam Products, Inc. Todos los derechos reservados. Distribuido por Sunbeam Products, Inc., Boca Raton, Florida 33431.

www.oster.com  
Canada: 1.800.667.8623

EE.UU.: 1.800.334.0759

Para preguntas sobre los productos, llamar a: Sunbeam Consumer Service

CBA-092217

© 2017 Sunbeam Products, Inc. All rights reserved. Distributed by Sunbeam Products, Inc., Boca Raton, Florida 33431.

www.oster.com  
Canada : 1.800.667.8623

USA : 1.800.334.0759

For product questions contact: Sunbeam Consumer Service



User Manual

## 6-Slice Counter Top Oven

Manual de Instrucciones

## Horno de mostrador de 6 rebanadas

MODEL/MODELO TSSTVMNDG



Visit us at [www.oster.com](http://www.oster.com)

P.N. 137149 Rev. B



